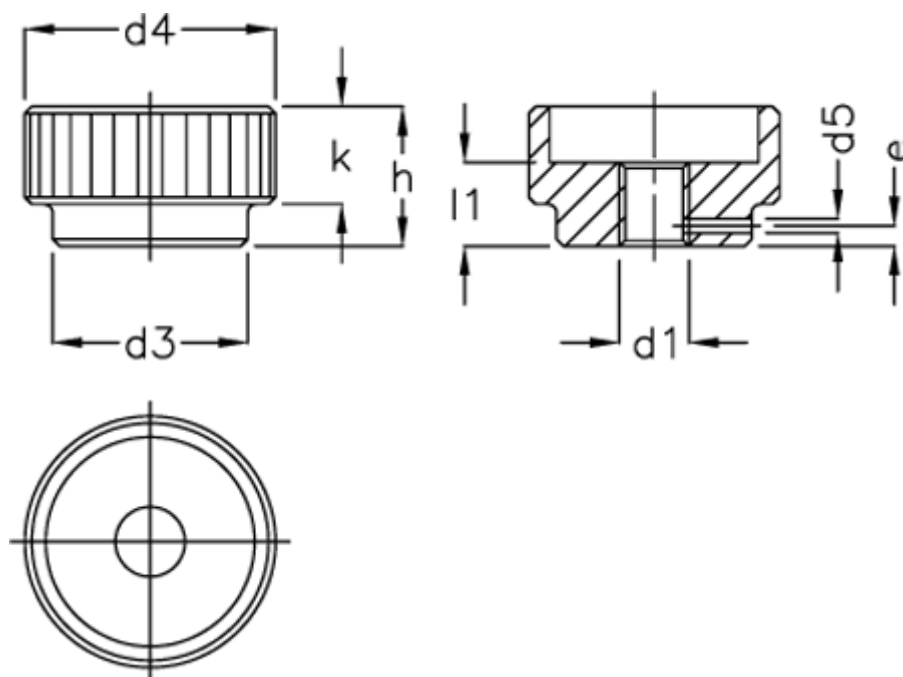


Article number: 20700511

Description: E+G Knurled nut DIN 6303-M10-B  
B with dowel hole

## Measures



d1 = M 10

d3 = 28

d4 = 36

d5 = 3.0

e = 4.0

h = 20

k = 14

l = 12